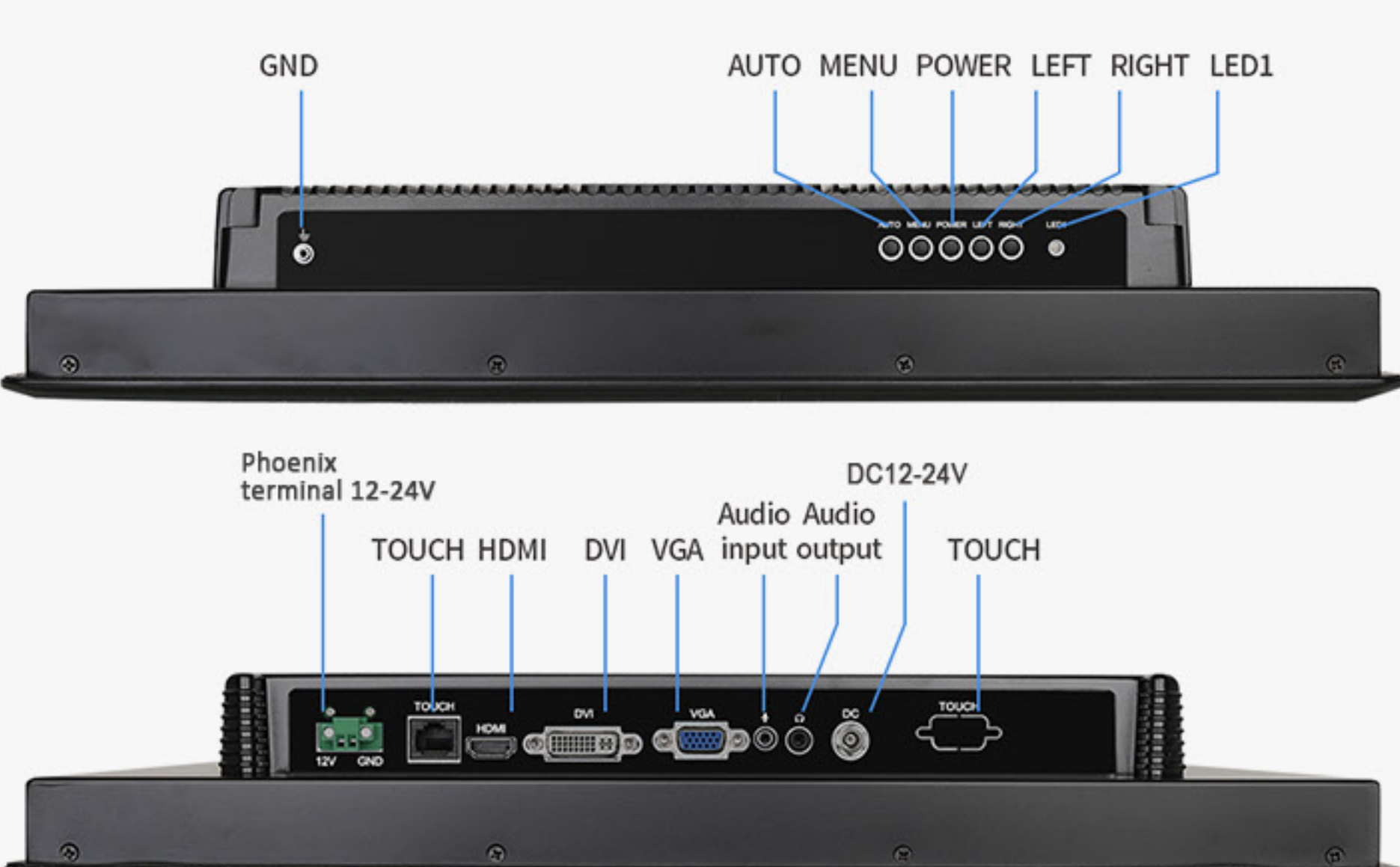


Front Panel IP65 Dust-proof and Waterproof

- 15 inch, 1024x768, 4:3 Aspect Ratio
- 300cd Brightness, Optional Up to 1000nits
- I/O: VGA/ DVI/ HDMI Input, RJ45 for Touch
- Curved Design Front Bezel, Aluminum Alloy Enclosure
- Various Installation Methods, Suitable for Different Applications



Interfaces

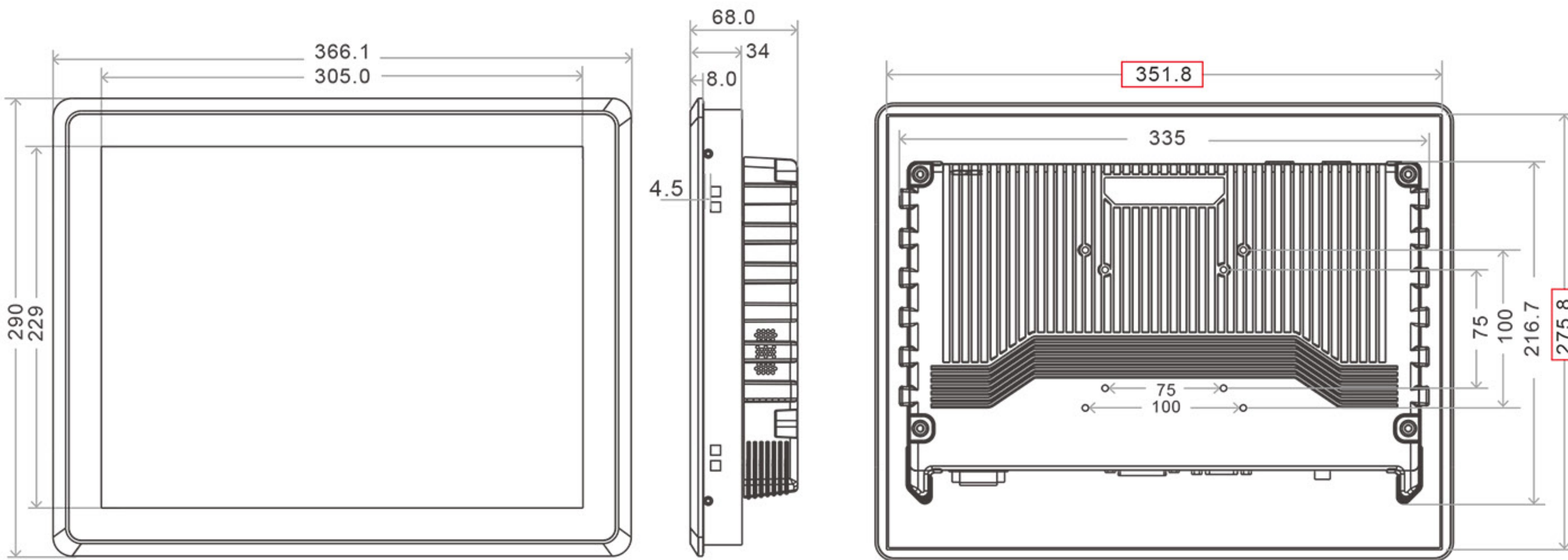


Touch Type

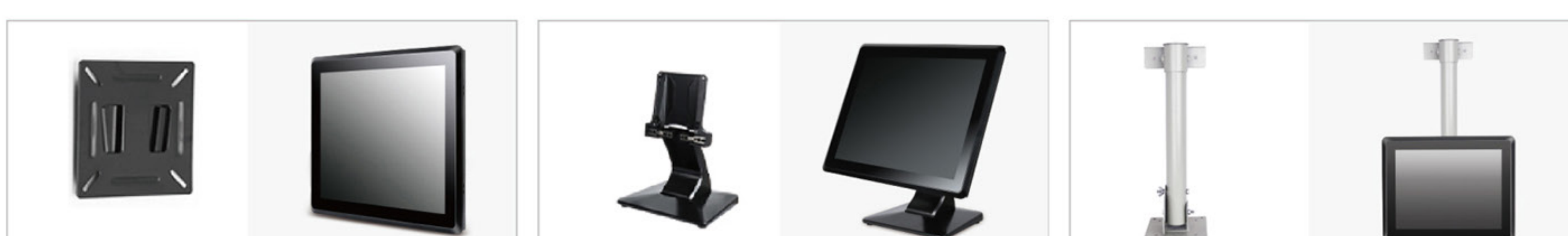
Front Panel IP65 Design, Water and Dust Proof



Dimension



Installation



Specification

Model Name		KQ15 (No Touch) KQ15R (With Resistive Touch) KQ15C (With Capacitive Touch)
Display	Screen Size	15"
	Resolution	1024×768
	View Angle	85/85/85/85 (L/R/U/D)
	Colour	Chroma: 16.7M
	Brightness	300cd/m2 (optional up to 1000cd/m2)
	Contrast	700:1
	Response Time	6.5ms
	Display Area	304.128×228.096 mm
	Pixel Pitch	0.297×0.297 mm (H×V)
	Touch Screen Type	No Touch/ Resistive Touch/ Capacitive Touch
Others	Interfaces	HDMI*1/ VGA*1/ RJ45*1(for touch)/ DVI*1/ Audio In & Out / DC*1/ Phoenix terminal*1
	Working Temperature	-10 °C to 60 °C
	Storage Temperature	-20°C to 70°C
	Humidity	95% Non-Condensing
	Voltage Input	DC12-24V (Power adapter with DC12V / 4A, AC 100-240V 50/60Hz)
	Power Consumption	18W
	Material	Aluminum Alloy Metal
	IP Rating	Front IP65 Water & Dust Proof
	System Language	English ,Chinese
	Key Function	AUTO, MENU, POWER, LEFT, RIGHT
Accessories	Power Adapter, Power Cable, Snap screw, Touch cable (1.5m), User Manual	